

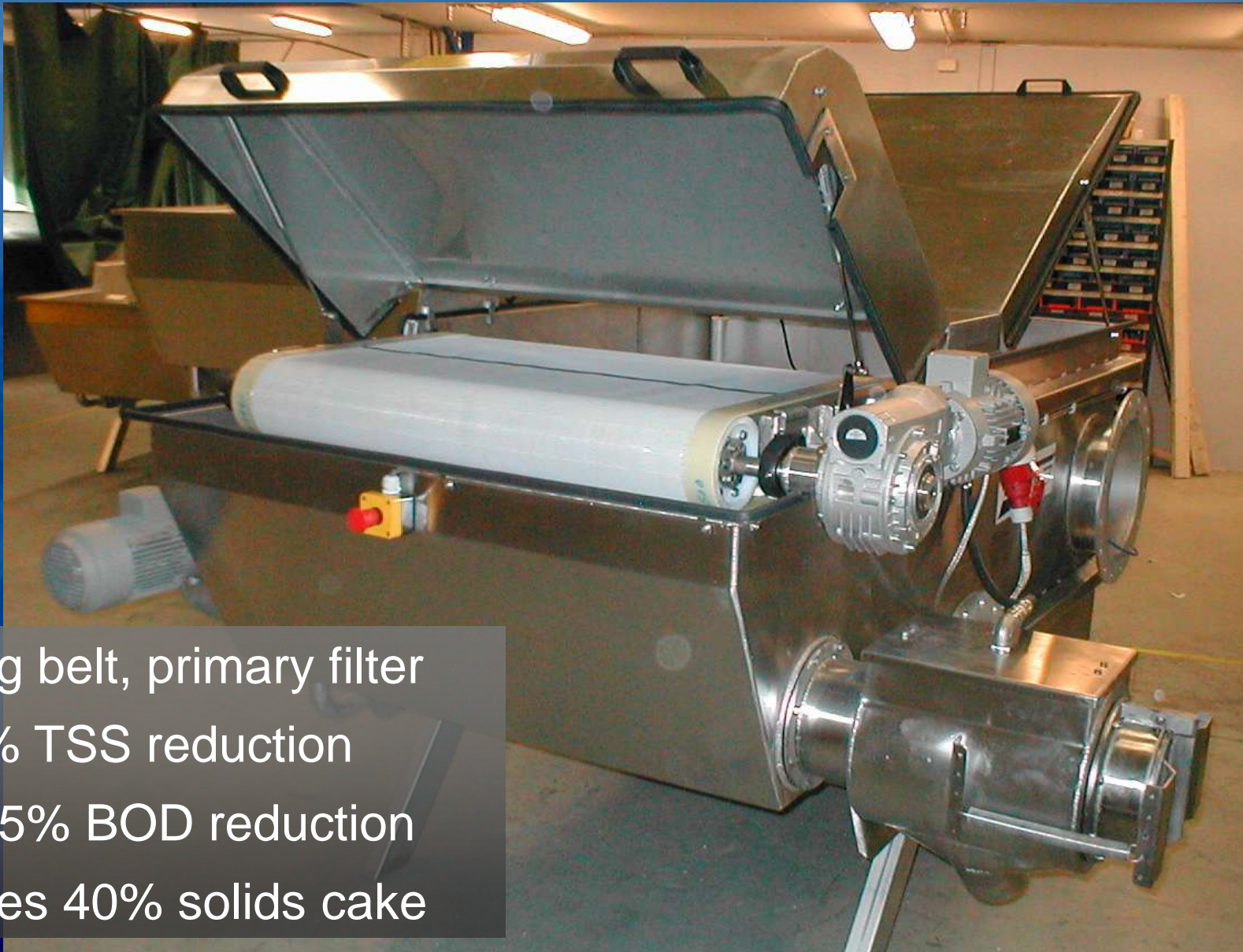


The Salsnes Filter Ultra-fine Primary Treatment.

Blue Water for a Green World™



Salsnes Filter



- Rotating belt, primary filter
- 40–70% TSS reduction
- Up to 35% BOD reduction
- Produces 40% solids cake

Salsnes Filter

Triple SF-6000



- Capacities over 15 MGD
- Over 275 units installed since 1991
 - 80% market share in Norway
- Unique, patented design

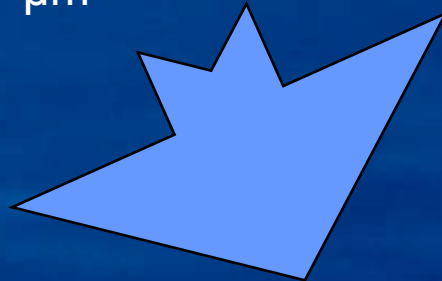
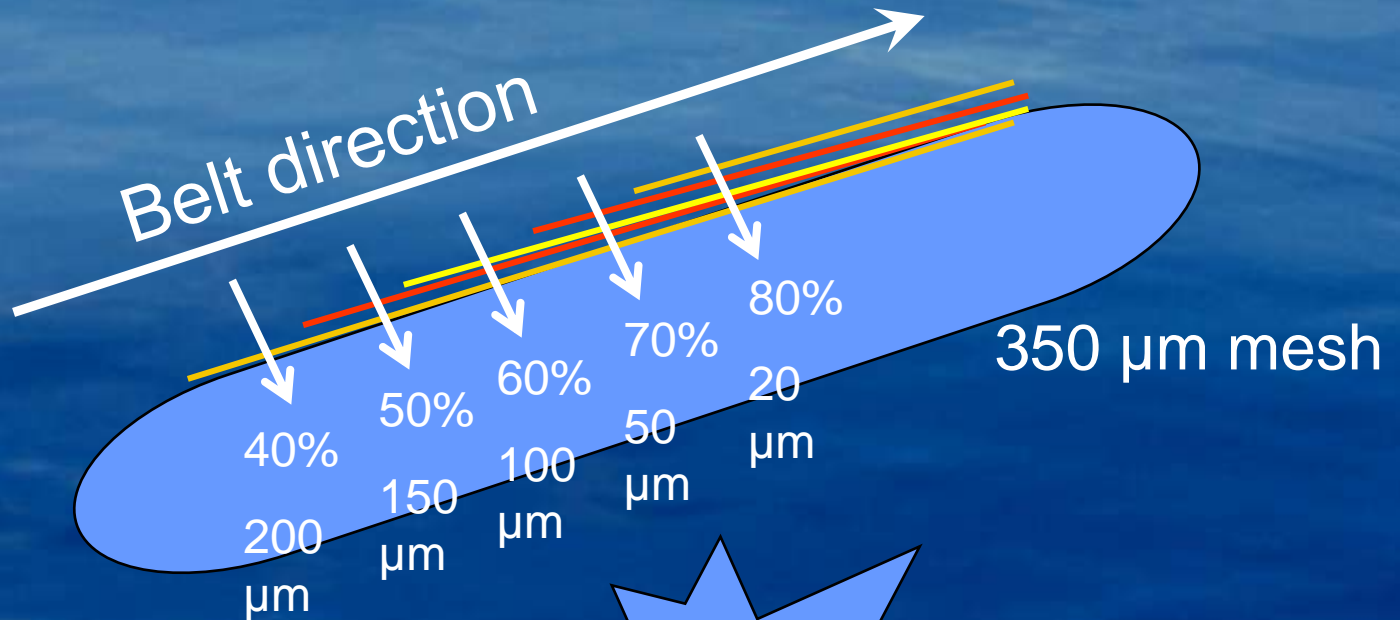
Salsnes Filter

- Creates aerobic treatment capacity
- Flexibility for varying flows, CSO
- Excellent membrane pretreatment
- Scum thickening/dewatering

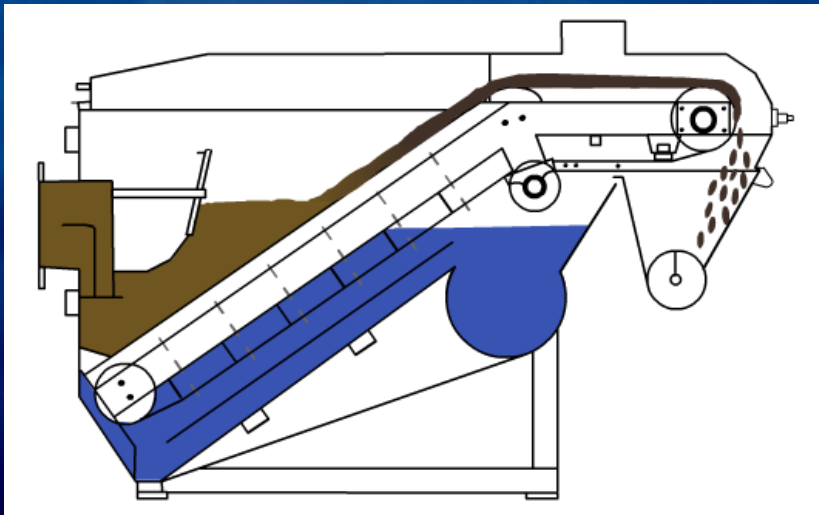


Dual SF-2000

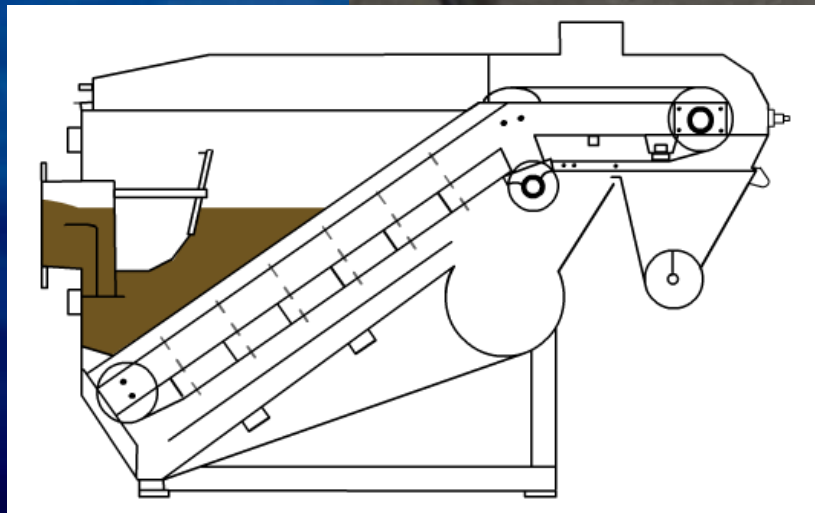
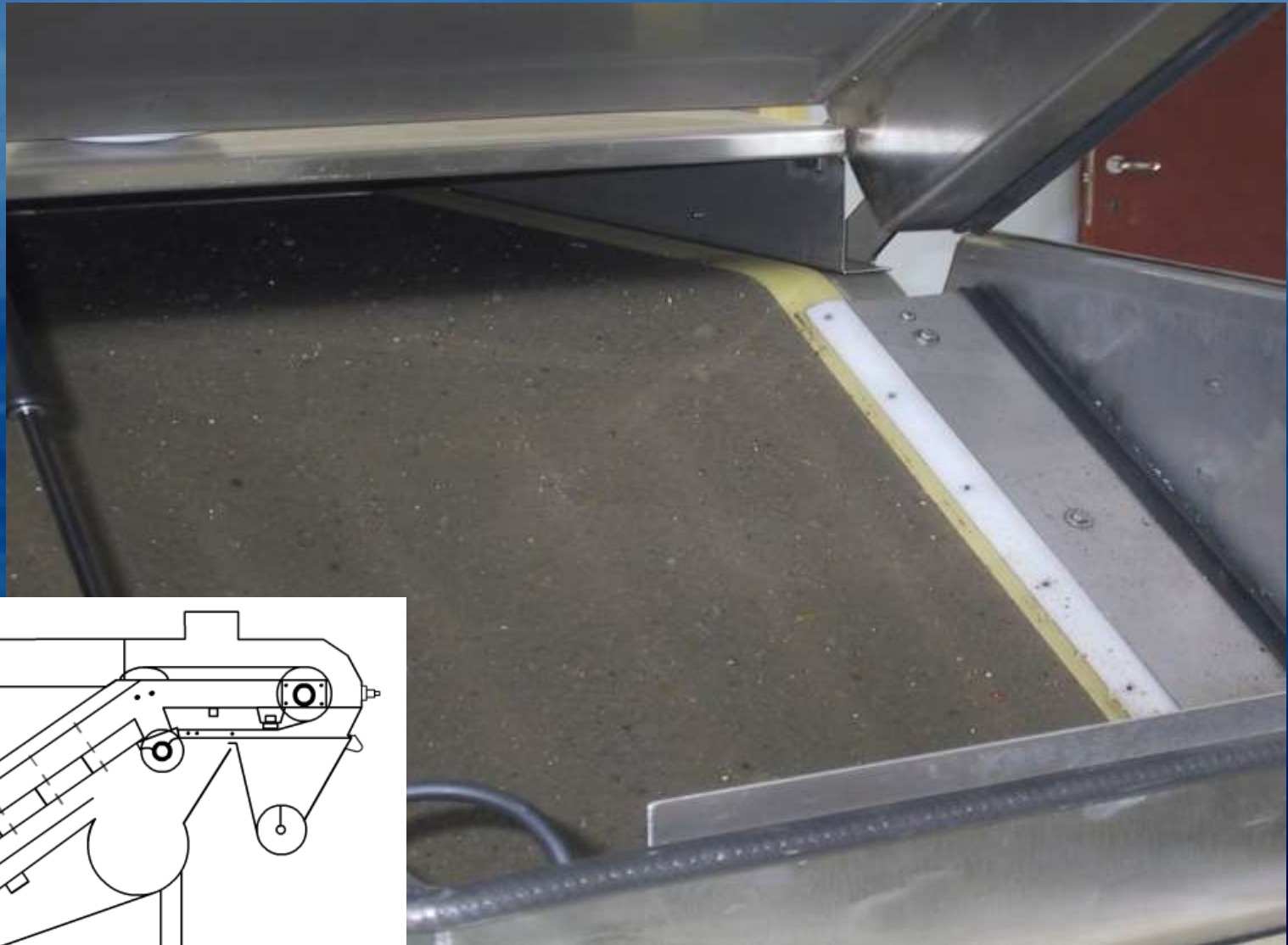
Filter Mat Principle



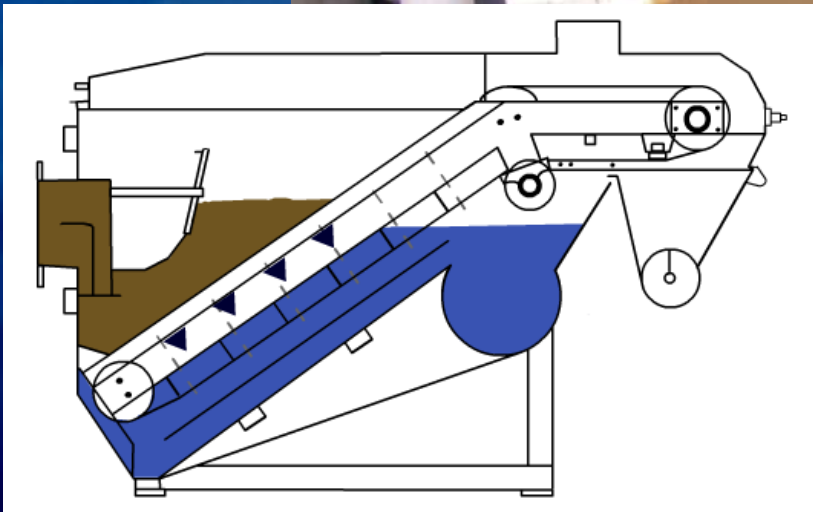
350 µm mesh yields 35-100 µm effective filtration



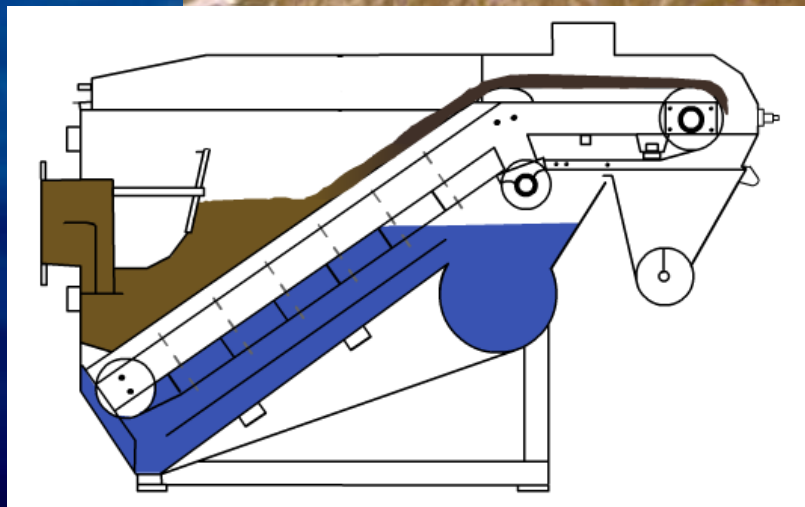
Mat Forms on Screen Cloth



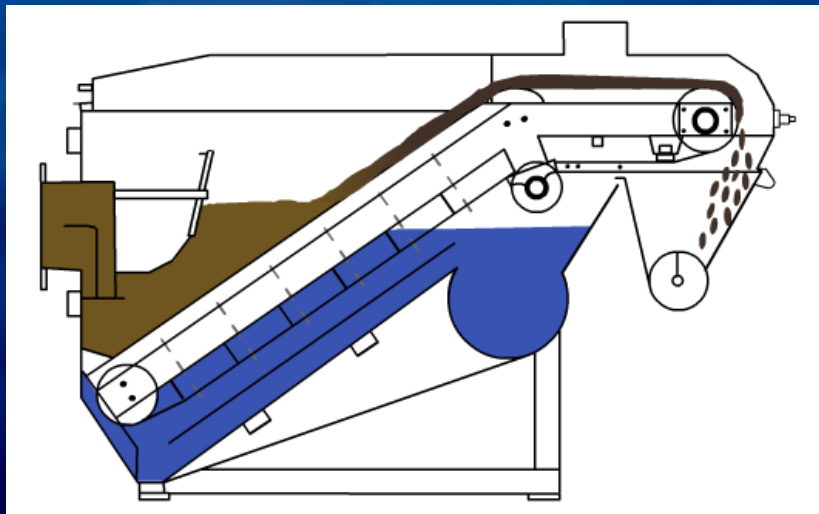
Mat Filters Water



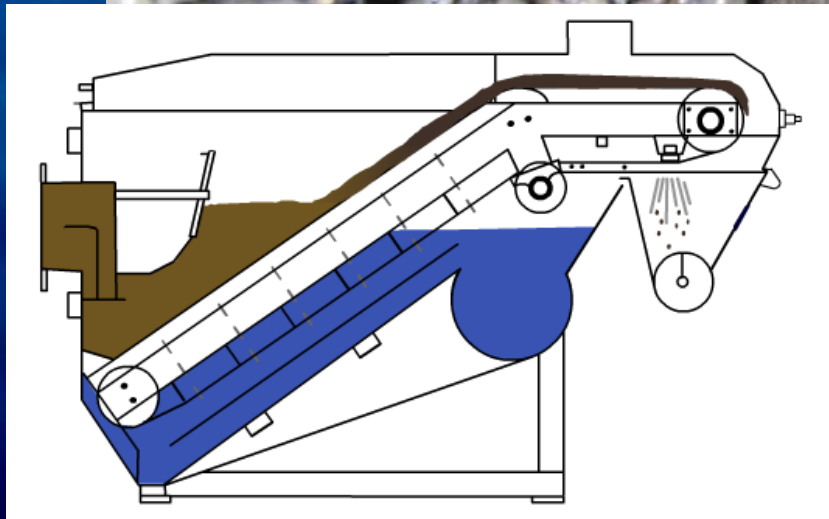
Belt Lifts Solids Away



Solids Drop into Hopper



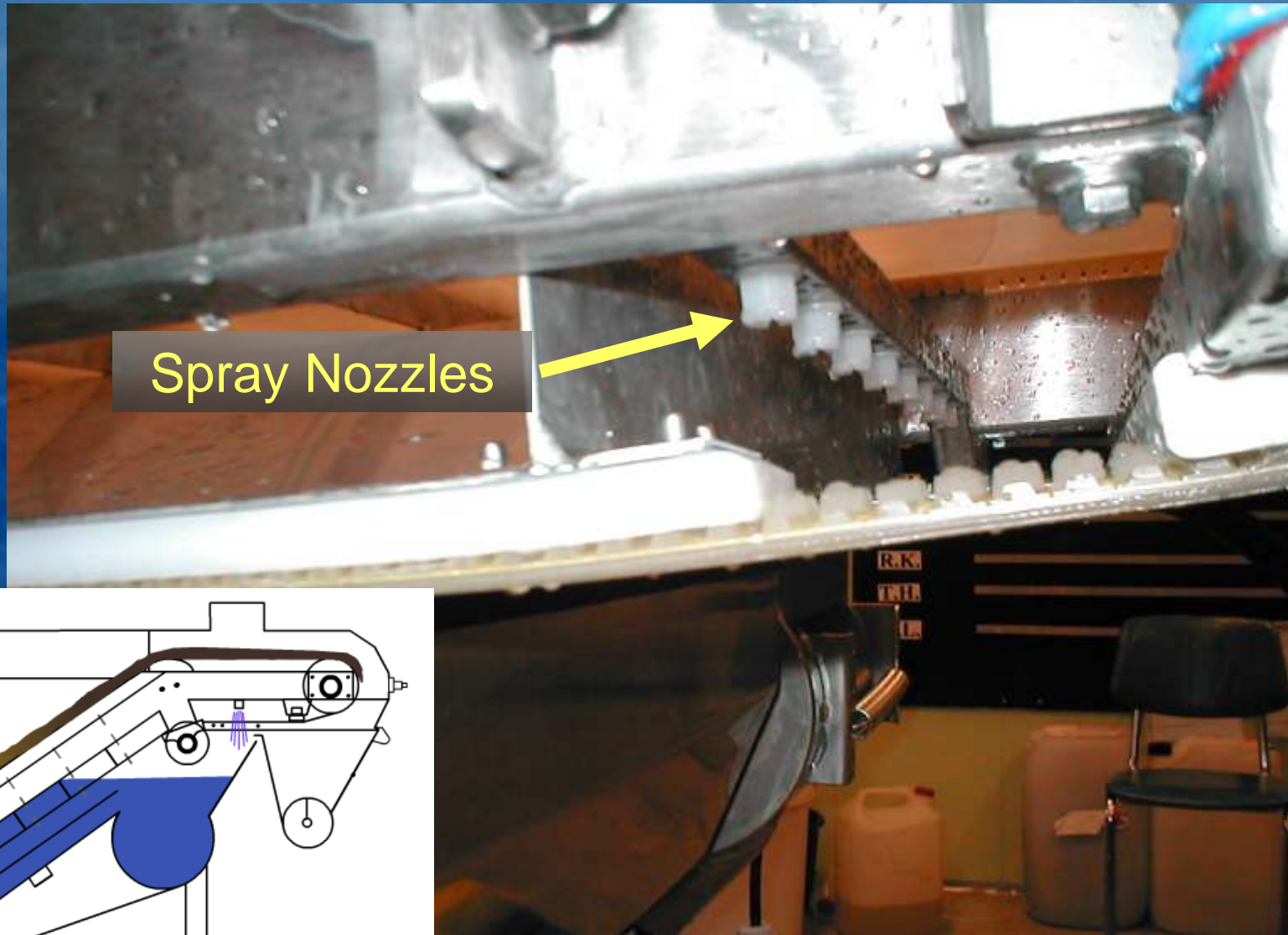
Air Cleans the Screen Cloth



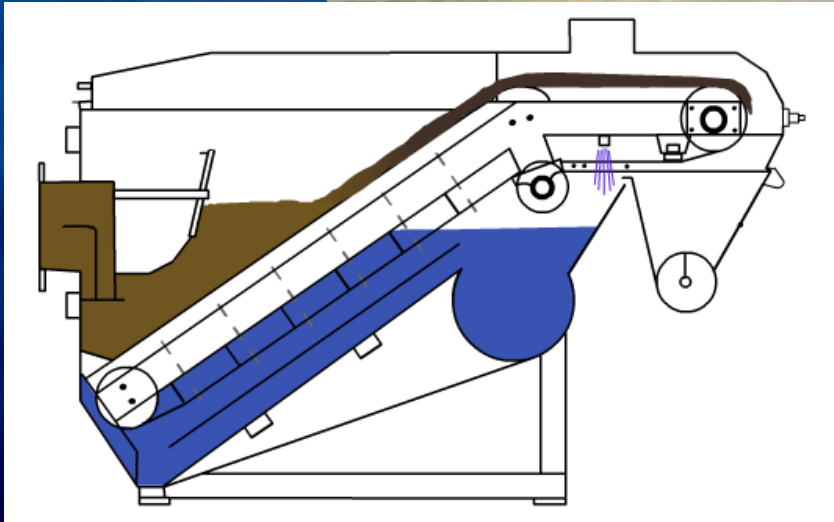
Air Cleans the Screen Cloth



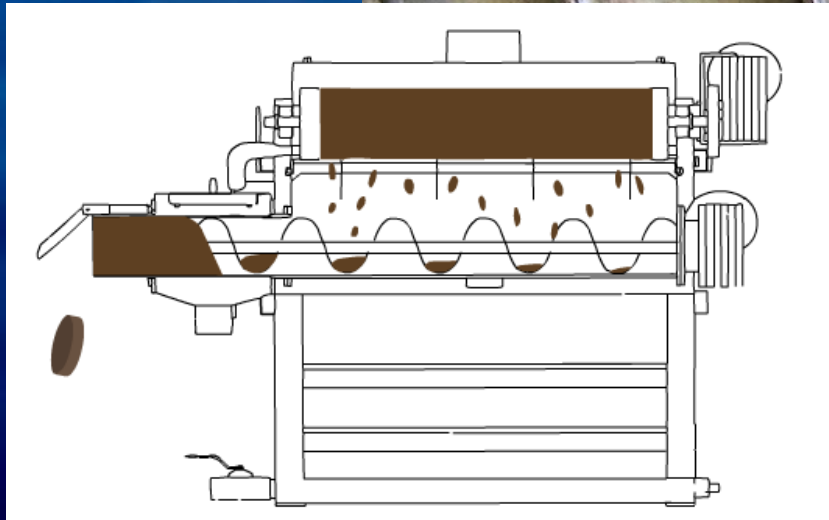
Intermittent Hot Water Degreasing



Spray Nozzles



Solids in Auger, Prior to Extruder



25 - 40% Solids Exiting Extruder



Solids Disposal Options

- Landfill
- Anaerobic digestion
- Cake waste-to-energy:
 - 3100 BTU/lb
 - 7800 BTU/lb dry
 - 0.9% ash
- Food processing apps
 - feed stock



Materials: 316L Stainless



Fine-Sieve Mesh Belt

- Nylon with Kevlar supports
- Patented, self-aligning belt



- Multiple sieve sizes available
- Belt life is 1-5 years

Salsnes Filter Models

Model	Capacity (MGD)	Footprint
SF – 1000	0.2 – 0.5	4' x 4'
SF – 2000	0.4 – 0.9	6' x 5'
SF – 4000	0.9 – 1.9	7' x 8'
SF – 6000	1.7 – 3.7	9' x 9'

5 MGD Primary Clarification Options



One 140' Circular Clarifier

ALSO NEEDED:

- Complex concrete tank
- Sludge dewatering
- Pumping
- Sludge disposal
- Odor mitigation



Two Salsnes SF-6000s

ALSO NEEDED:

- Simple concrete pad
- Sludge disposal

SF-4000 Primary Treatment and Grit Removal



SF-6000 Primary Treatment & Fine Screen



SF-2000 Primary Treatment & Fine Screen – Tourist Area



Dual SF-2000 Primary Treatment & Ultra-Fine Screen – IFAS system



SF-1000 Pre-MBR



SF-6000 Poultry Processing



Scum Thickening



Scum Thickening



Salsnes Filter

- Ease of operation
- Small footprint
- Modularity
- Increased aerobic capacity
- Superior performance
- Proven, reliable, pre-engineered system
- Warranty (1 year typical)





got cake?

Blue Water for a Green World™

